

The Aspen Macerator 4 litre & 10 litre Pump

Suitable for fridge and freezer applications.

Description

The pump is designed to collect condensation and defrost from food hall cabinets. It has an internal filter blade to stop the pump from clogging with food debris between maintenance visits and will discharge the water to a head of 6 metres.

The pump comes with two different size tanks; 4 litres in plastic and 10 litres in stainless steel.

The internal prewired safety float is a low current switch to stop the drain down cycle in the event of pump failure. The pump is operated via two internal float switches.

Dimensions

4 litre – Height: 230mm. Width: 335mm. Depth: 150mm.

10 litre – Height: 230mm. Width: 335mm. Depth: 310mm.

Installation Notes

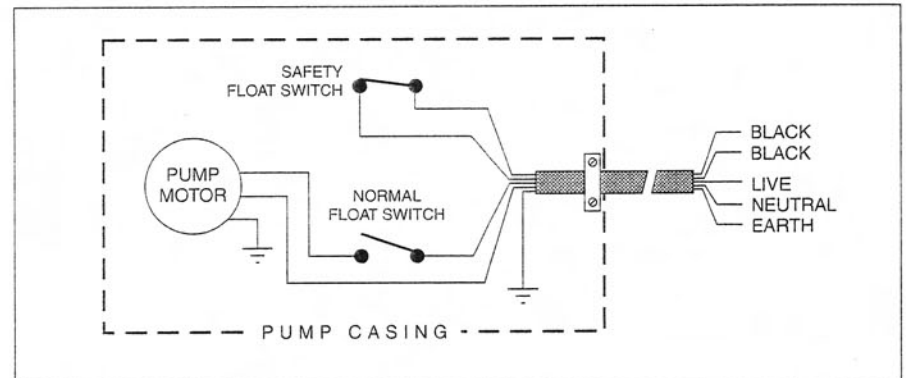
This pump is designed to sit level on its base.

Ensure that there are no kinks or trapped parts in the discharge piping, which must have an internal diameter of 9mm and be secured to the pump outlet with a pipe clamp.

IMPORTANT: The pre-wired safety switch **SHOULD ALWAYS** be utilised.

Technical Specification

- 2 metre connecting cable
- Tank holds 4 litres or 10 litres
- Maximum recommended head 8.5m (flow rate 80 L/h)
- Maximum flow rate @ 0 head 780L/h
- Pump has a pre-wired safety switch. 4.0A max
- Power supply 230V AC 50-60Hz 0.38A



Service Guide

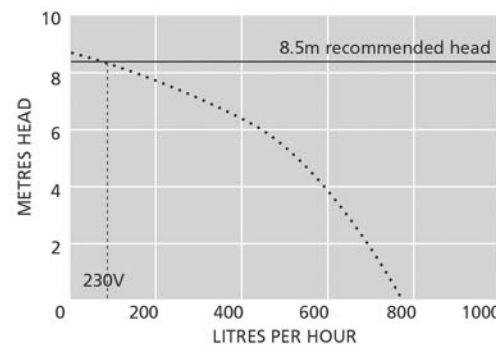
Remove debris from the pump at regular intervals and flush with an anti-bacterial wash to avoid sludge build up.

NB: The contractors should satisfy themselves that any chemicals used are compatible with the working of the pump.

For further help contact Aspen Pumps.

Electrical Connections

Brown	Live
Blue	Neutral
Green/yellow	Earth
2 x Black	Safety Float Switch



**Designed by Engineers
for Engineers**

Aspen Pumps

Aspen Building, Apex Way, Hailsham, East Sussex BN27 3WA
Telephone: 01323 848842. Fax: 01323 848846. www.aspenpumps.com